



RONIN

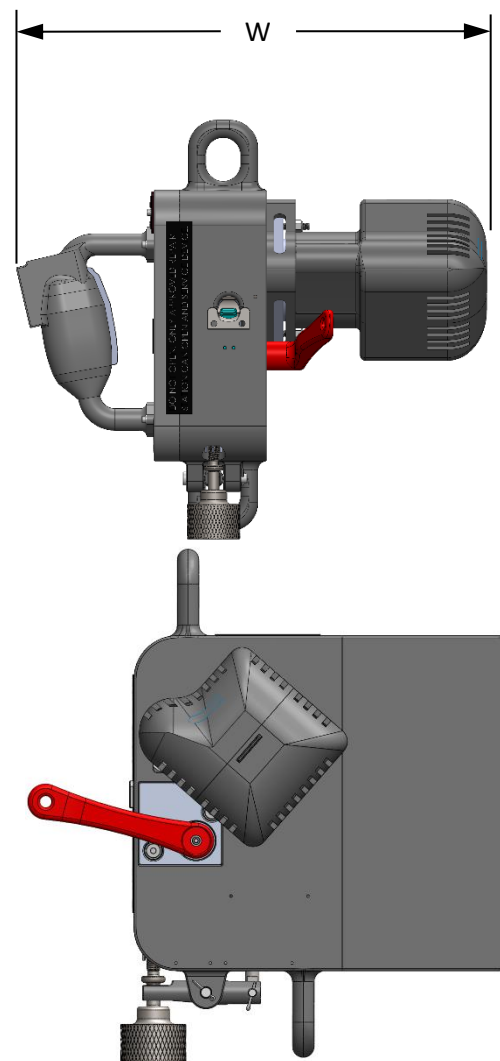
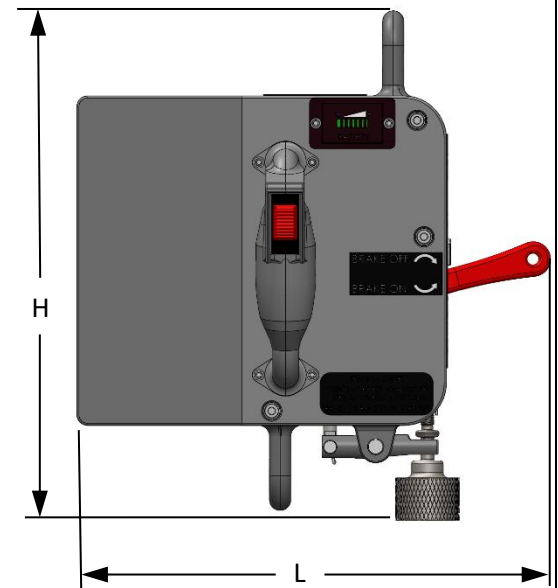
Category	Battery Powered Rope Ascender
Length (L)	11.25 inches
Width (W)	13.50 inches
Height (H)	11.75 inches
Weight w/Battery	20 lbs. Max
Construction	7075 Aluminum
Finish	Powder Coat Black
Operating Temperature Range	-4 °F – 120 °F
Ingress Protection (IP)	IP54
Battery Type	48 VDC Lithium Ion Rechargeable
Battery Life Ascent Standard Battery	3.8 min. continuous use 400lbs (425 ft. rope) 7.6 min. continuous use 200lbs (850 ft. rope)
Battery Re-Charge Time	~ 1 hours
Rope Type	11.5-13 mm Aramid or Kernmantle Static Line Rope
Rope Loading	Manual Rope Load
Ascent Speed	Variable (0.5 – 1.5 ft./per second)
Descent Method	Gravity Feed with manual brake
Descent Speed	2.8 ft./sec. max @ 400 lbs.
Climbing Method	Single Rope Technique
Secondary Safety	Secondary Lock Out Feature (Hands Free)
Max Working Load	400 lbs.

Features

- Lightweight & portable
- Rugged and durable construction
- 400 lbs. Safe Working Load
- Thumbwheel trigger variable speed control
- Secondary Lock safety feature for hands free work
- Hot swappable battery pack for continuous duty all day long
- Integrates with existing climbing technology
- Works as both a winch and rope ascender

Applications

- Tower/Telecommunication
- Power Utility
- Wind Turbine
- Arbor care
- Rescue
- Police/Fire
- Construction
- Building Maintenance





IRONIN

